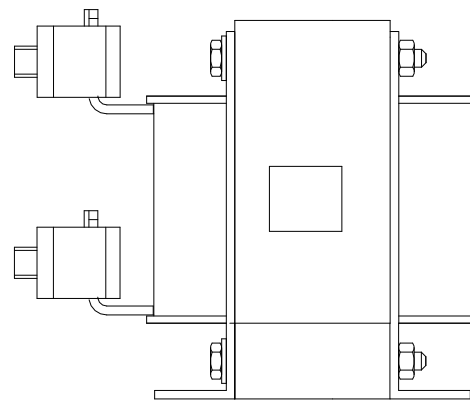
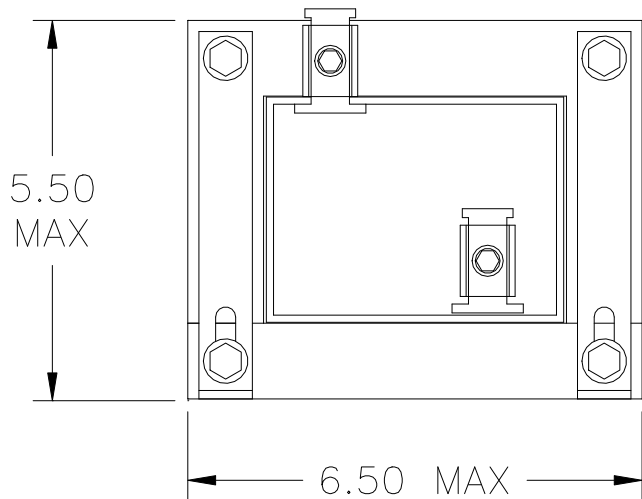
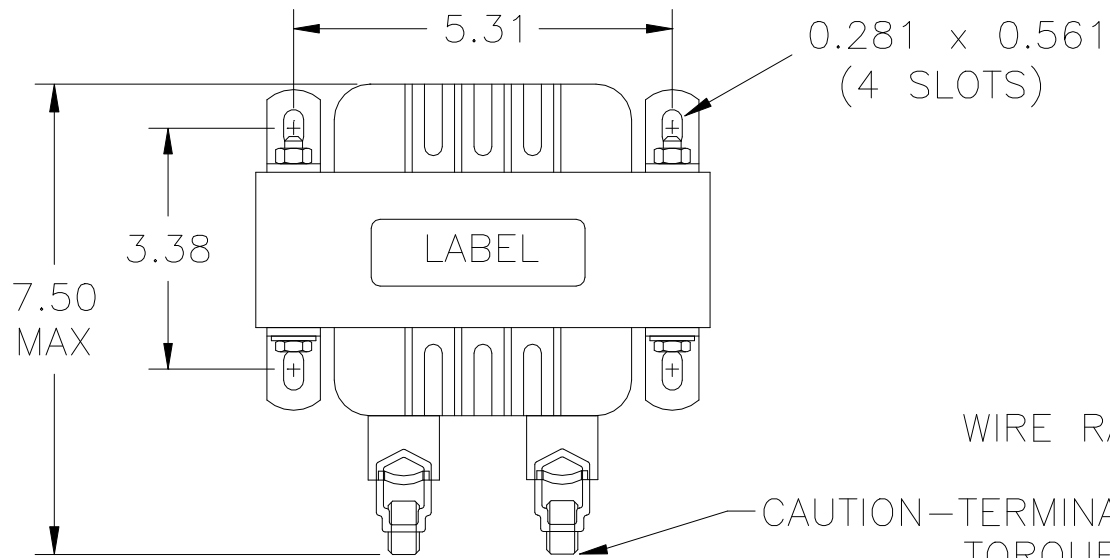


INDUCTANCE	LOSSES	WEIGHT
0.12 mH	42 Watts	23 Lbs

NO.	CHANGE DESCRIPTION	BY	DATE	C'K'D
05	REVISED PER ECR 7175, ADDED CD	RS	8/23/10	

FILE:



UNLESS OTHERWISE SPECIFIED, DIMENSIONS ARE IN INCHES [mm] AND TOLERANCES ARE:

DECI. FRAC.

ANGLES DRILLED HOLES

PART NAME:	DC LINK CHOKE
DESCRIPTION:	OUTLINE DIMENSION
FINISH:	

MTE CORPORATION MENOMONEE FALLS, WISCONSIN			
CD 200RB001			REV. 05
SCALE	NTS	DATE 05/29/98	C'K'D
REF.	DR. BY	JJB	APP'D